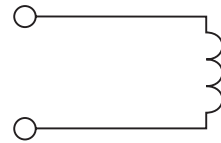
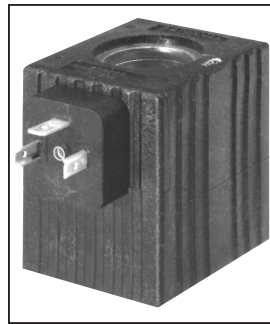


**Features**

- Compact one piece encapsulated design
- Numerous terminals and voltages
- Heavy gauge color coded lead wire with built-in strain relief
- 200°C Class N wire standard
- U.L. recognized on most DC coils (consult factory)

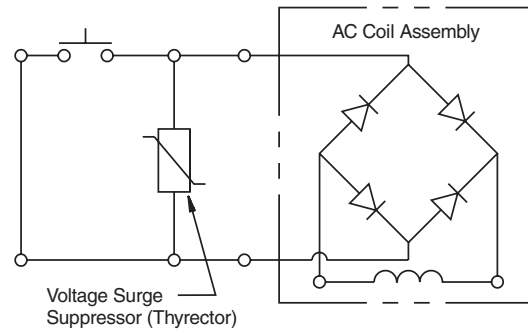
**Specifications**

<b>Wattage</b>	42 Watts — Standard 30 Watts — Low Watt
<b>Duty Rating</b>	Continuous @ 100% voltage
<b>Wire Class</b>	Class N for all voltages
<b>Lead Wire</b>	18 gauge 24" long, 600 volt rating
<b>Lead Wire Strain Relief</b>	34 kg (75 lbs.) @ 21°C (70°F) & 18 kg (40 lbs.) @ 93°C (200°F)
<b>Encapsulating Material</b>	Glass filled nylon, resistant to moisture, caustic solutions, fungus, and temperatures from -40°C (-40°F) to 200°C (392°F)
<b>Color</b>	Black

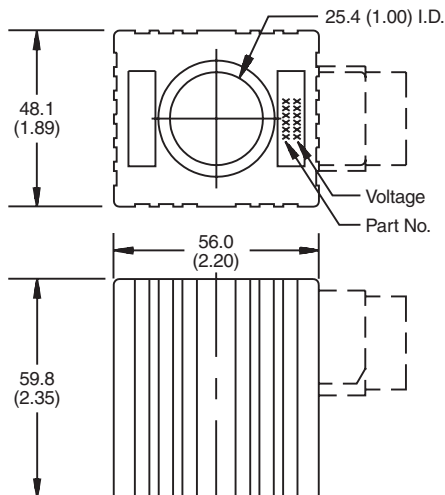


**AC Coil Assembly**

No inductive or capacitive loads can be installed between surge suppressor and rectified valves.

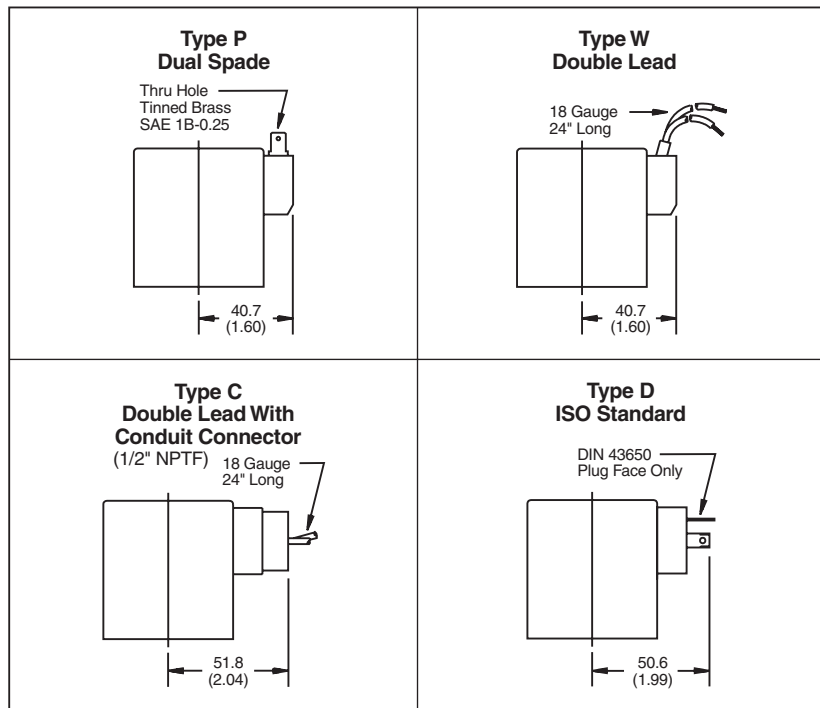


**Terminal Styles and Dimensions**



**NOTES:**

1. Coil to be installed with part number on nut side.
2. For additional terminals, voltages and wattages, consult factory for details.
3. Consult factory for availability. Minimum quantity may apply.



**Coil Part Numbers**

Wattage	Voltage	Type P Double Spade	Type W Double Lead	Type D ISO STANDARD	Type C Conduit	Amps	Lead Wire Color
42 Watts	12 VDC	851060-012VDC	851062-012VDC	851058-012VDC	-	3.53	Red
42 Watts	24 VDC	851060-024VDC	851062-024VDC	851058-024VDC	-	1.79	Blue
55 Watts	120 VAC	-	-	851058-120VAC	851057-120VAC	48.0	Brown

**CV** Check Valves  
**SH** Shuttle Valves  
**LM** Load/Motor Controls  
**FC** Flow Controls  
**PC** Pressure Controls  
**LE** Logic Elements  
**DC** Directional Controls  
**MV** Manual Valves  
**SV** Solenoid Valves  
**PV** Proportional Valves  
**CE** Coils & Electronics  
**CB** Cartridge Bodies  
**BC** Bodies & Cavities  
**TD** Technical Data